



# 6690-CL

## FROZEN BEVERAGE FREEZER

Single flavor, Countertop, Gravity feed

### Powerful & Versatile

High capacity single flavor counter model for frozen beverage and milkshakes

#### Fast Freeze Down

Patented high efficiency heat exchanger allows fast freeze down with low energy consumption

#### Simple Control, Easy Operation

Simple and intuitive control system makes operation and viscosity adjustment easy, swift and more precise

#### Low Mix Indicator

Light turns "ON" at low mix to alert operator to add mix

#### See-through Dispensing Door

Clear dispensing door design makes product more attractive and serves as great marketing tool

#### Standby & Indicator

Maintains product temperature in both mix hopper and freezing cylinder below 4.4°C (40°F) overnight; Indicator lights up during Standby



#### Hopper Agitator

Maintains product consistency, prevents product separation

#### Self-closing Dispensing Valve

Automatically prevents product overflow after dispense

#### Safety Protections

- High pressure switch to prevent compressor overheating
- Thermal overload to protect from motor overheating

#### Light Box

- Illuminates flavor cards to attract more business
- Easy flavor card changes and tool-free access to viscosity controls behind the panel

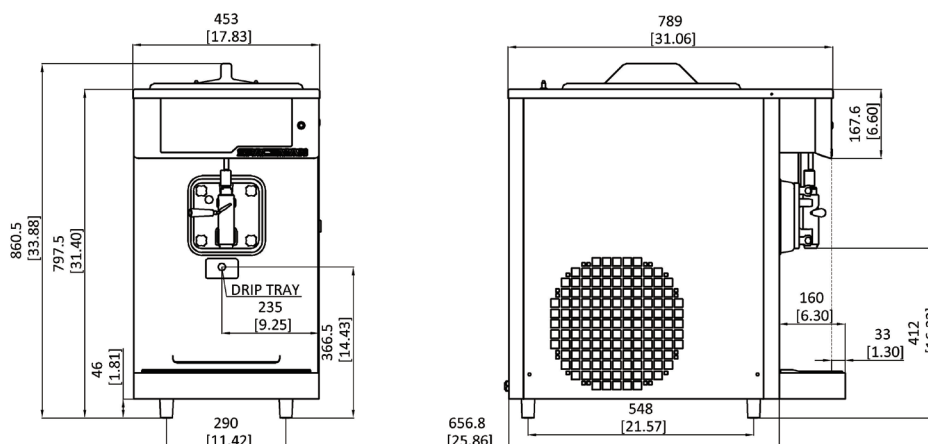
#### One-hand Operated Spinner (Optional)

- Adds ability to blend and offer more varieties of treats
- Allows for multi-tasking one-hand operation that helps increase productivity and reduce serving time



# 6690-CL

## FROZEN BEVERAGE FREEZER



### SPECIFICATIONS

Flavors	1
Freezing Cylinders	1 x 6.9L / 7.3qt
Mix Hoppers	1 x 20L / 21.2qt
Output Capacity (250ml)	240 serves/hr
Clearance Requirements	152mm/6" on left

### Weight Kg/lb

Net	128 / 282
Shipping	145 / 320

### Dimensions Net (mm/in) Shipping (mm/in)

Width	454 / 17.9	540 / 21.3
Depth	657 / 25.9	910 / 35.8
Height	861 / 33.9	1040 / 40.9
Volume	0.51 CBM / 18.05 CBF	

### Electrical Power (kW) Total Amps (A) Fuse (A)

220-240/50/1	2.7	15	20
208-230/60/1	2.9	15	20

### FEATURES

Control System	One, Mechanical
Refrigerated Hopper	<input checked="" type="checkbox"/>
Hopper Agitator	<input checked="" type="checkbox"/>
Auto Closing Dispensing Valve	<input checked="" type="checkbox"/>
Low Mix Indicator Light	<input checked="" type="checkbox"/>
Low Mix Indicator Alarm	<input checked="" type="checkbox"/>
Standby Mode	<input checked="" type="checkbox"/>
Standby Indicator Light	<input checked="" type="checkbox"/>
High Pressure Protection	<input checked="" type="checkbox"/>
Thermal Overload Protection	<input checked="" type="checkbox"/>

### AVAILABLE OPTIONS

Top Air Discharge Chute	<input checked="" type="checkbox"/>
Spinner	<input checked="" type="checkbox"/>

• Above specifications are subject to change without notice